

DHN-54X16 430~440W

High Efficiency Single Glass PV Module

Comprehensive Products & System Certificates

IEC 61215 / IEC 61730 / CE / FIDE / INMETRO
ISO 45001
2018/International standards for occupational health & safety
ISO 14001
2015/Standards for environmental management system
ISO 9001
2015/Quality management system

 Material & technology warranty

 Linear power output warranty



Higher power, longer service life, linear power warranty for 30 years



TOPCon cells have a lower decay rate,
≤ 1% in the first year and ≤ 0.4% in the second year



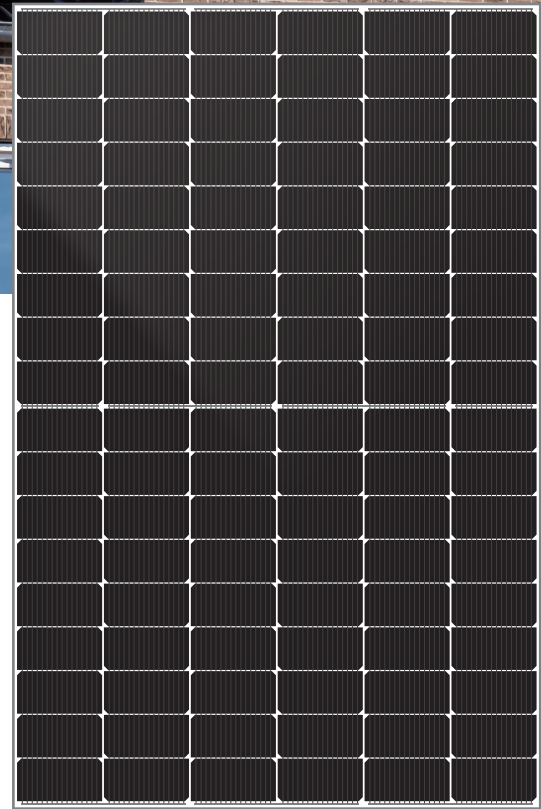
Lower temperature coefficient, better high-temperature resistance,
reduced power loss, and better high-temperature resistance



Better weak light performance, higher power generation under
low light conditions, with 0.5% -1% more power generation

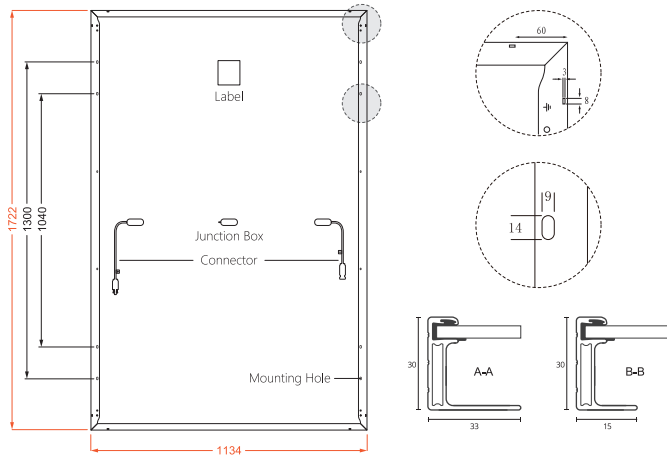


LECO laser assisted sintering technology,
reduces contact resistance and improves efficiency by 0.2% -0.5%

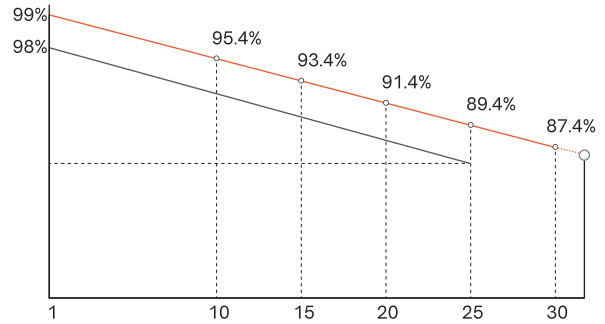


DHN-54X16 430~440W

Design



30-Year Linear Power Output Warranty



- DAH Solar linear power output guarantee
- Standard linear power output guarantee

Mechanical Specification

No. of Cells	108 (6×18)
Weight	20.8kg
Cells Type	N-type 182×91mm
Dimension (L×W×T)	1722×1134×30mm
Packing	36pcs/Pallet, 936pcs/40HQ

Cable	4.0mm ² , 300/200mm in length, (Including connector) length can be customized
Glass	3.2mm High Transmission, Antireflection Coating
Junction box	IP68, 3 Bypass Diodes
Connector	MC4 Compatible

STC-Electrical Characteristics

Module Type	DHN-54X16		
	430	435	440
Maximum Power (P _{max} /W)	430	435	440
Open-circuit Voltage (V _{oc} /V)	38.0	38.2	38.4
Maximum Power Voltage (V _{mp} /V)	32.5	32.7	32.9
Short-circuit Current (I _{sc} /A)	13.84	13.90	13.96
Maximum Power Current (I _{mp} /A)	13.23	13.30	13.37
Module Efficiency (%)	22.02	22.28	22.53

STC-Standard Test Environment: Irradiance 1000W/m², Cell temperature 25°C, Spectrum AM1.5

NOCT-Electrical Characteristics

Maximum Power (P _{max} /W)	323	327	331
Open-circuit Voltage (V _{oc} /V)	36.10	36.29	36.48
Maximum Power Voltage (V _{mp} /V)	30.88	31.07	31.26
Short-circuit Current (I _{sc} /A)	11.17	11.22	11.27
Maximum Power Current (I _{mp} /A)	10.47	10.53	10.59

NOCT-Standard Test Environment: Irradiance 800W/m², Ambient temperature 20°C, Spectrum AM1.5, Wind speed 1m/s

Operating Parameters

Maximum System Voltage	1500V DC
Operating Temperature	-40 ~ +85°C
Maximum Series Fuse Rating	25A
Nominal Operating Cell Temperature	45°C±2°C
Application Level	Class A

Temperature Coefficient

Temperature Coefficient of I _{sc} (αI _{sc})	0.046%/°C
Temperature Coefficient of V _{oc} (βV _{oc})	-0.25%/°C
Temperature Coefficient of P _{max} (γP _{mp})	-0.29%/°C
Snow load, frontside / Wind load, backside	5400Pa/2400Pa